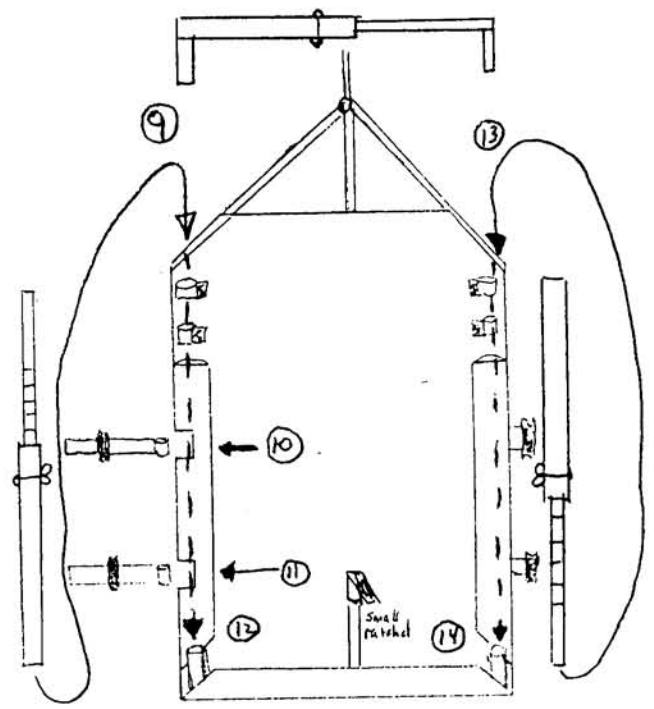
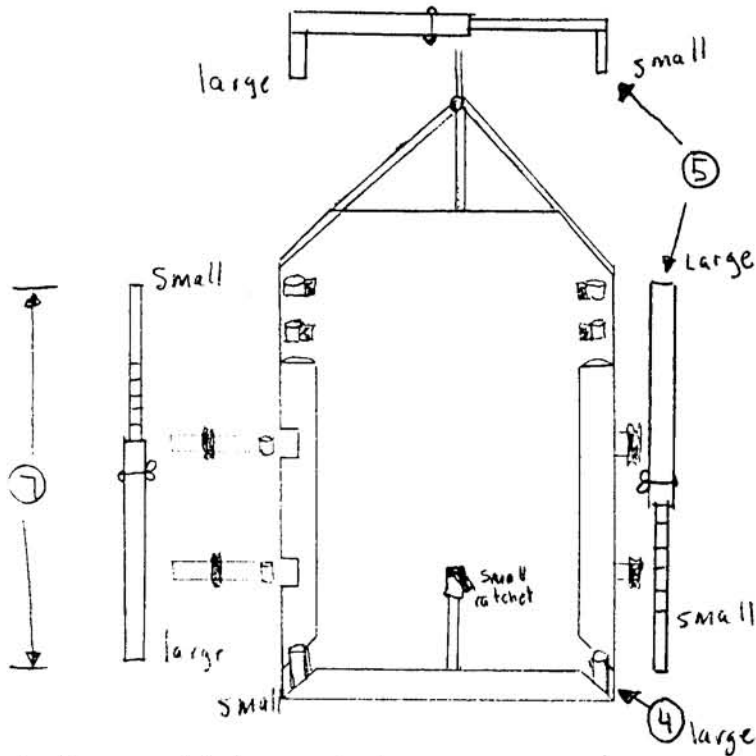
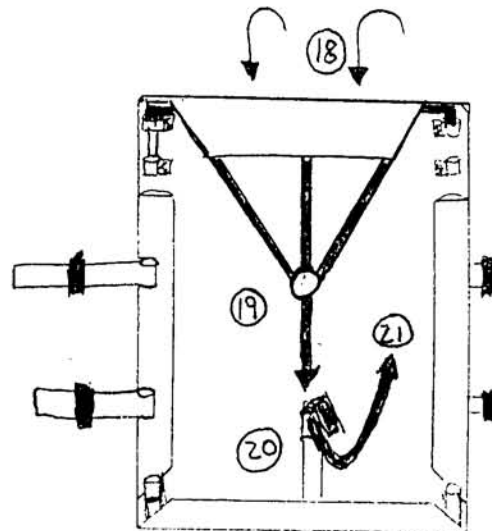
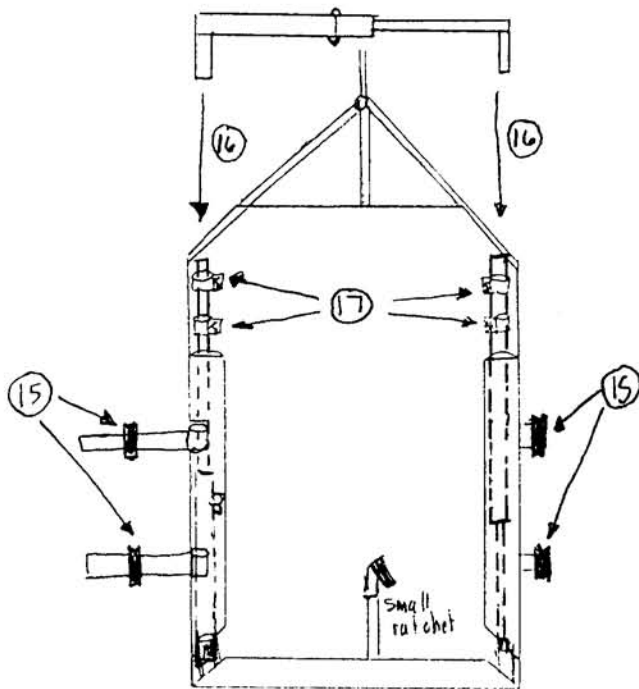


# ThoroShield USPS Security Curtain Assembly Instructions



1. Remove curtain from carrying bag
2. Open up and lay it face down on floor
3. Make sure 2 large ratchet assemblies are down
4. Note that bottom of curtain has horizontal frame in place
5. Lay out metal frame members around perimeter
6. Ensure frame members alternate large/small/large/etc.
7. Measure interior van height from floor to rafter
8. Set both telescoping vertical poles to 3-5" less than height

9. Insert telescoping pole from top of curtain thru web loops
10. Be sure to capture top E-clip strap @ cut-out in pipeloop
11. Also capture bottom E-clip strap @ 2<sup>nd</sup> cut-out near bottom
12. Seat telescoping pole completely over 5" leg on horizontal frame
13. Insert other vertical telescoping pole thru web loops & pocket
14. Make sure to also seat it completely into 5" leg on horizontal frame



15. Make sure the E-clips on all straps face up w/ springs on top
16. Insert top horizontal frame member down into/over vertical poles
17. Ensure vertical poles capture yellow straps if set for tall height
18. Fold top of curtain down and over horizontal steel frame member
19. Straighten triangle of 1" blue webbing towards small ratchet
20. Thread 1" webbing strap through small ratchet at bottom of curtain
21. Hand crank ratchet and webbing to a taut position to unitize curtain

Still have Questions?

Call us at 1-888-634-6462 or 1-262-569-7171

Or visit our website at [www.thortarp.com](http://www.thortarp.com)

[http://www.thortarp.com/applications/USPS\\_security\\_ctn.html](http://www.thortarp.com/applications/USPS_security_ctn.html)

ODIN International, Inc., THOR Tarp Division

PO Box 811, Oconomowoc, WI 53066-0811